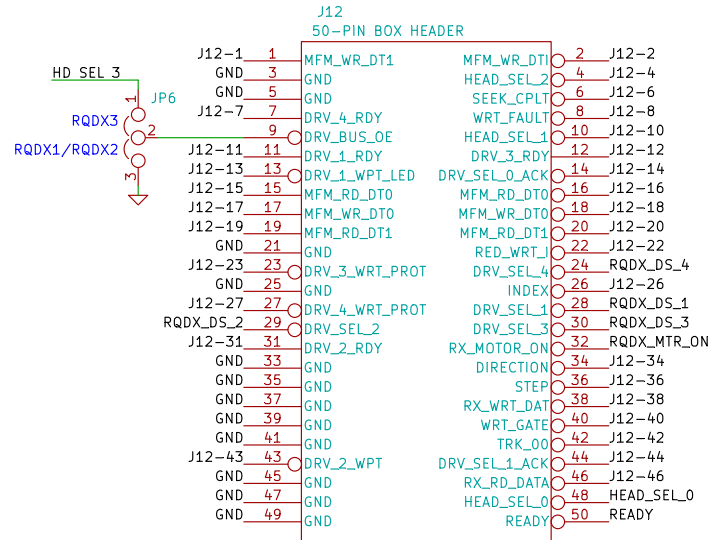
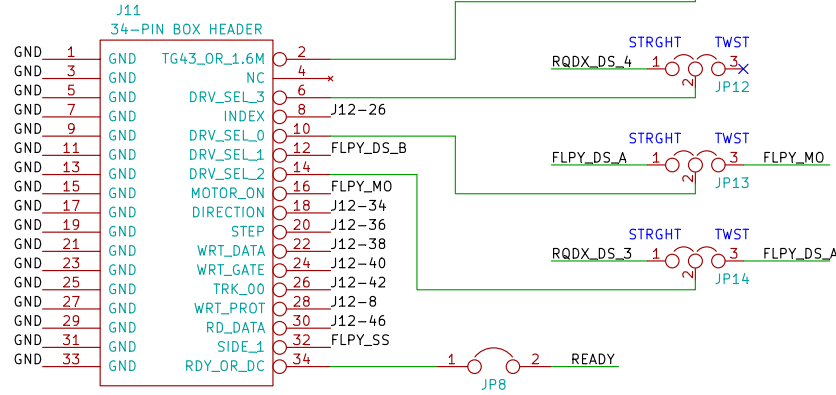


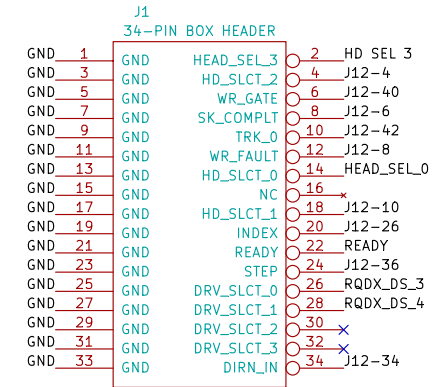
RQDX



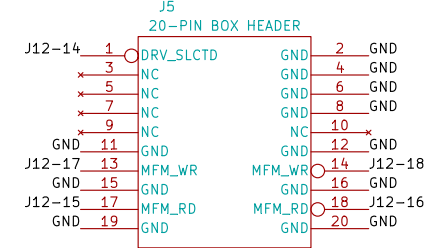
FLOPPY



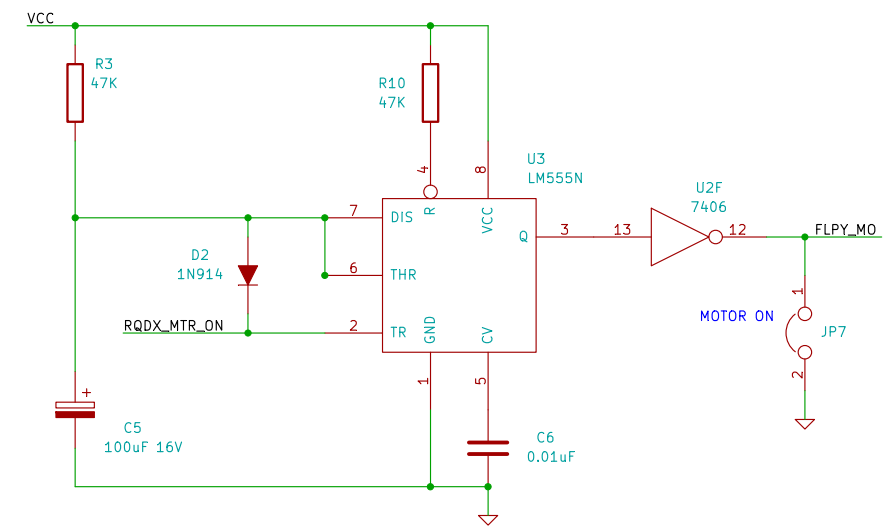
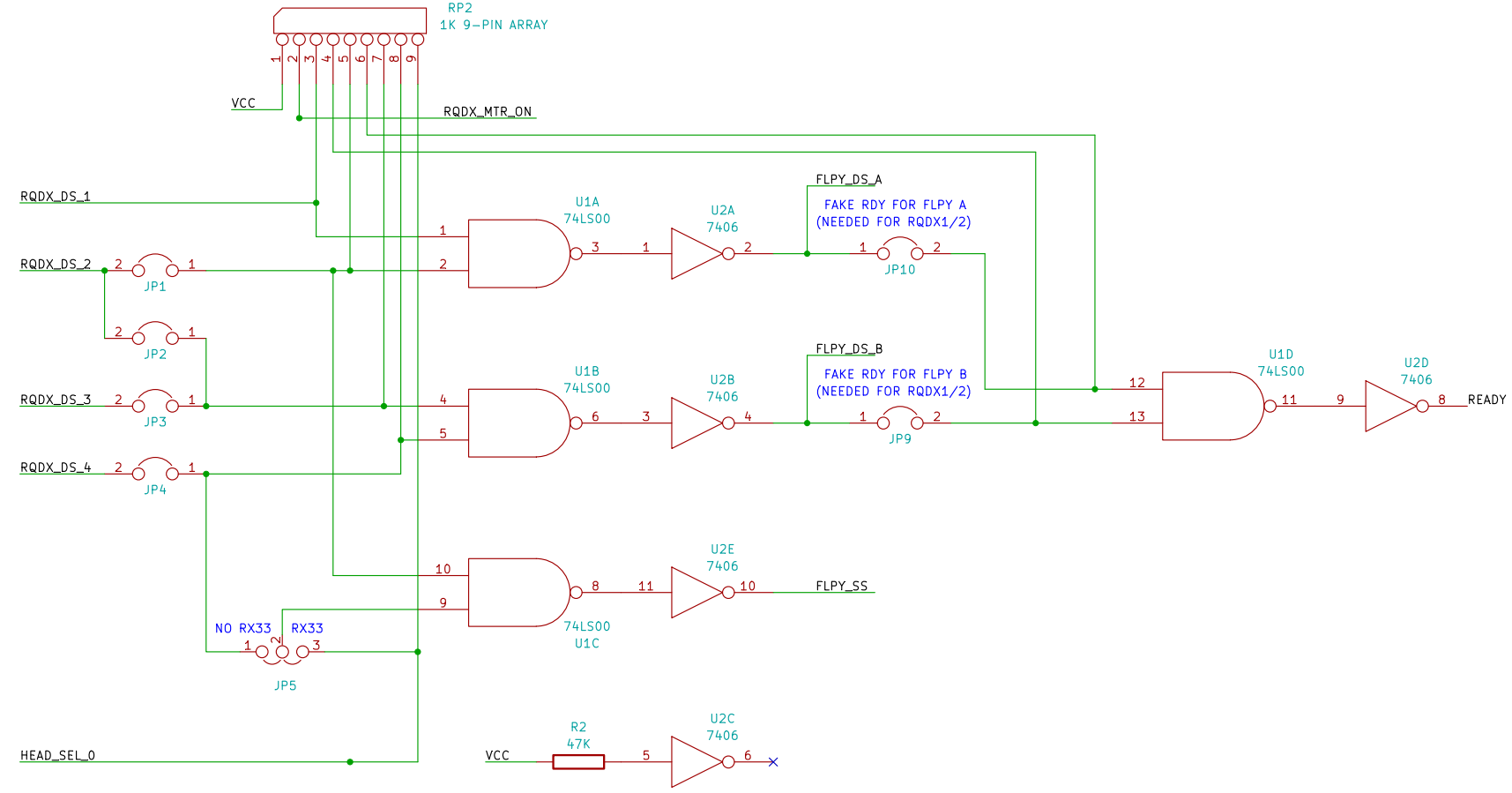
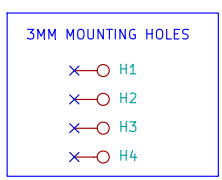
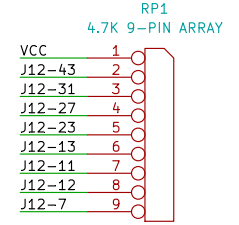
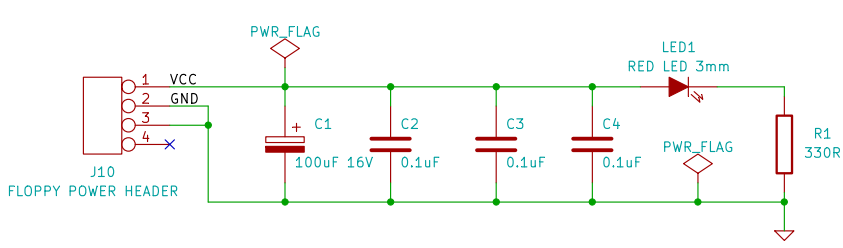
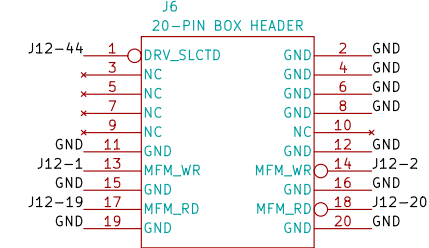
RD CONTROL



RD1 DATA



RD2 DATA



MALCOLM MACLEOD		
File: rqdx.sch		
Sheet: /		
Title: RQDX BREAKOUT BOARD		
Size: A3	Date: 24 may 2014	Rev: A
KiCad E.D.A. eeschema (2013-07-07 BZR 4022)-stable		Id: 1/1