

Sheet: Teletype I/O

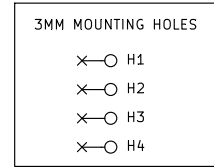
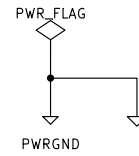
File: tty-io.sch

Sheet: Power Supply

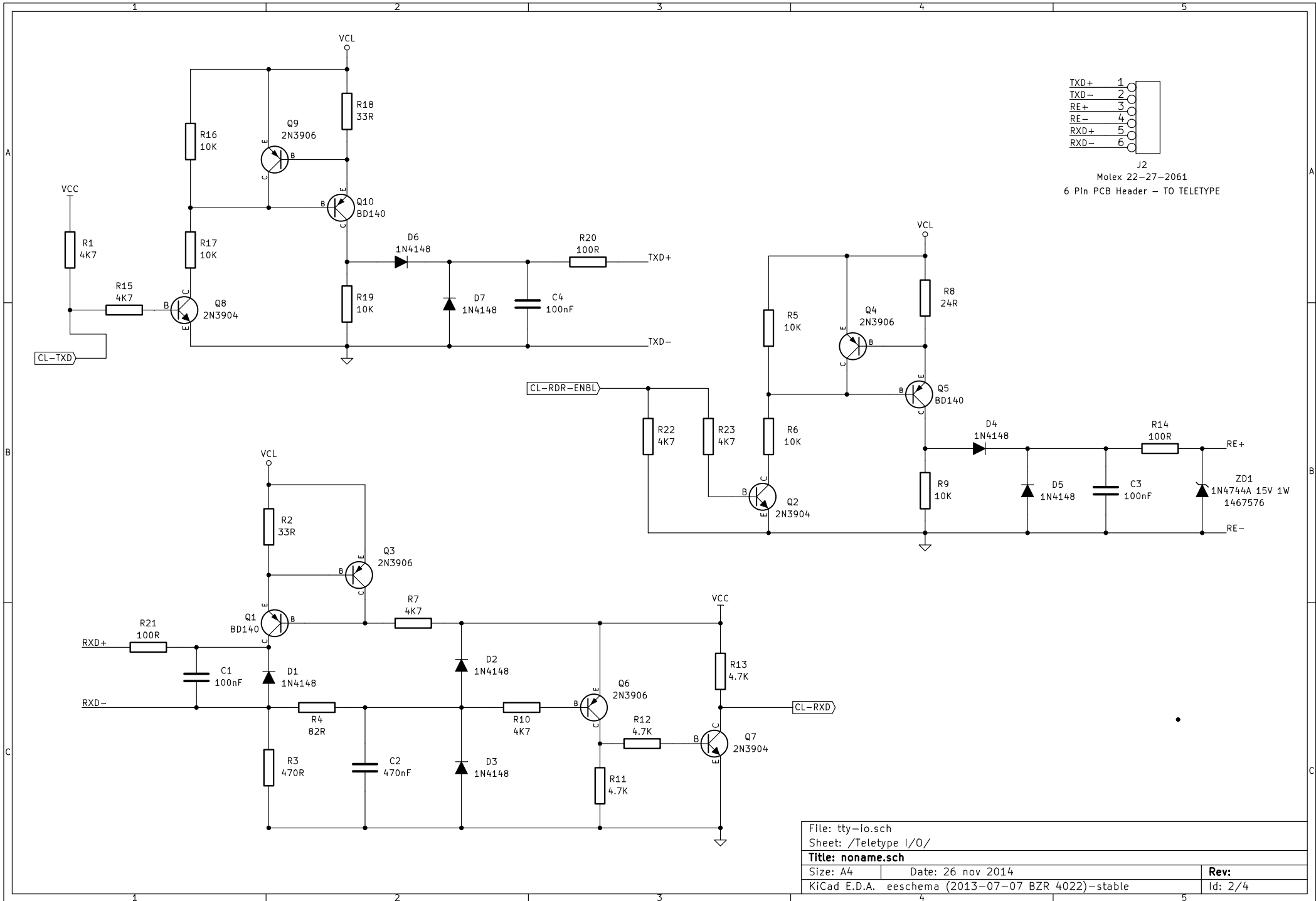
File: power-supply.sch

Sheet: PIC

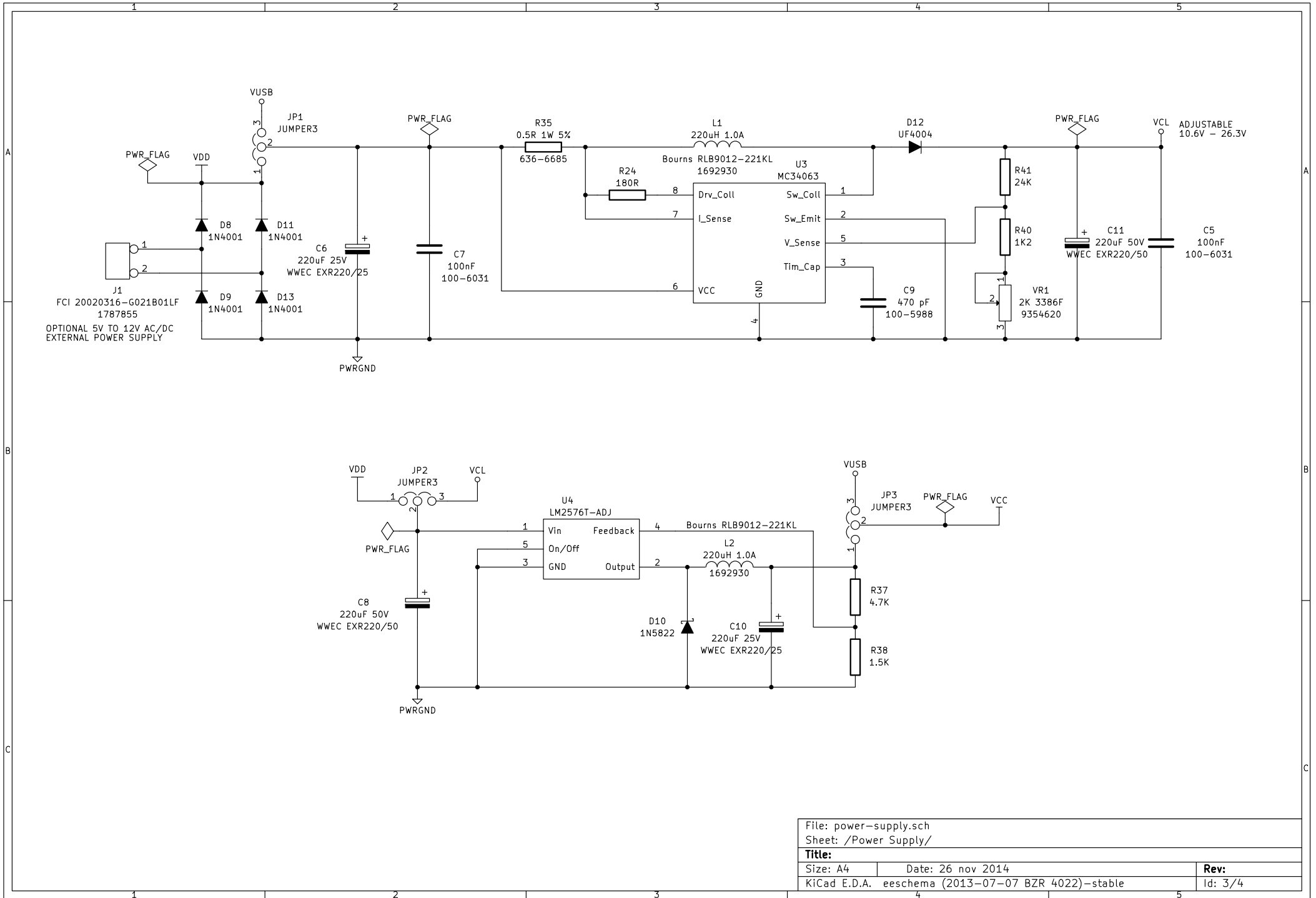
File: pic.sch



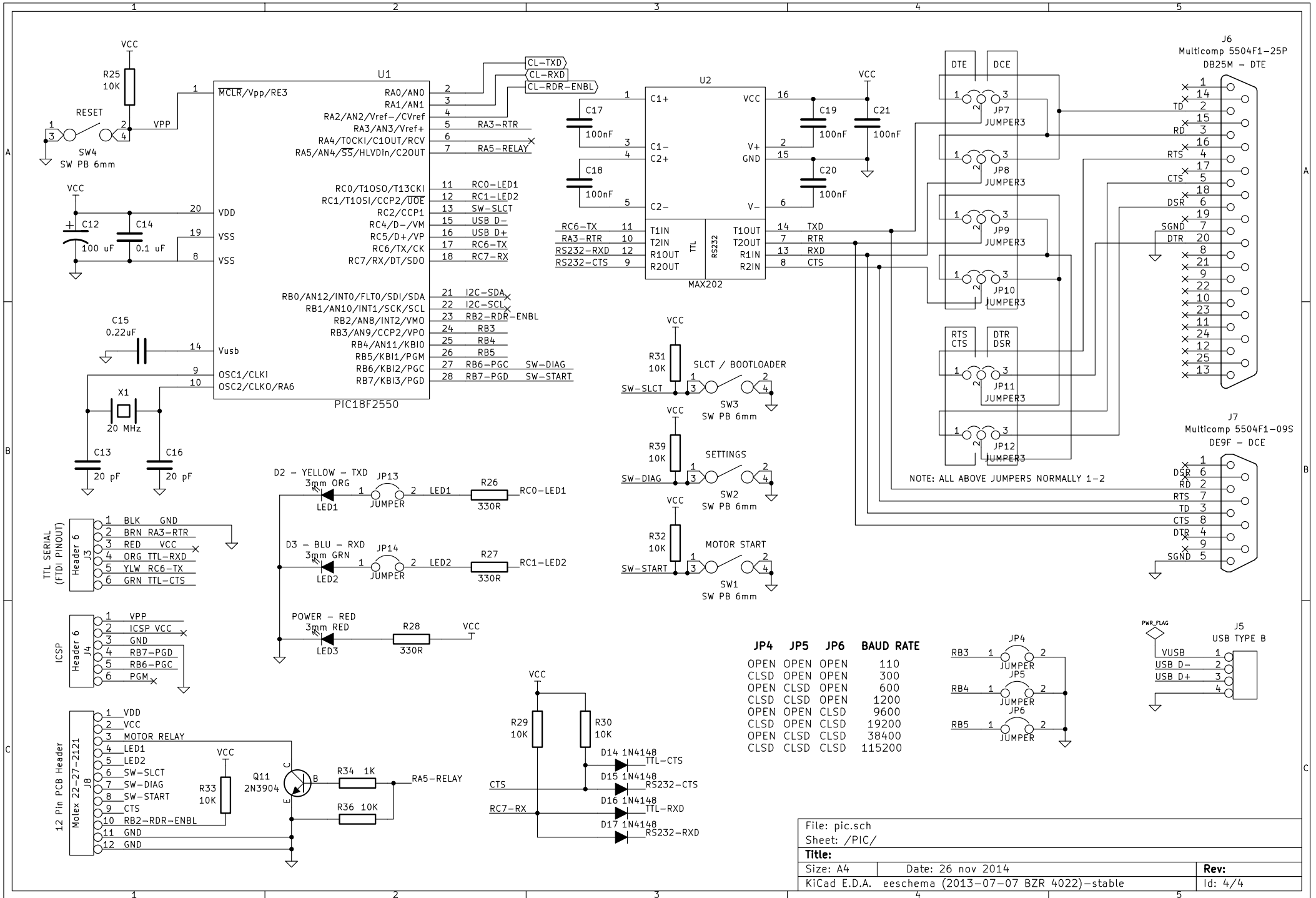
| | | |
|--|-------------------|-------------|
| File: 20ma-driver.sch | | |
| Sheet: / | | |
| Title: | | |
| Size: A4 | Date: 26 nov 2014 | Rev: |
| KiCad E.D.A. eeschema (2013-07-07 BZR 4022)-stable | | Id: 1/4 |



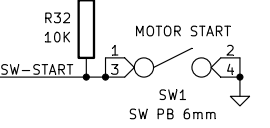
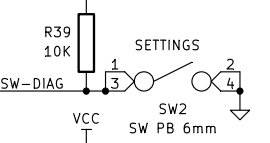
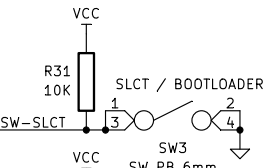
| | | | |
|--|-------------------|-----------------------|-------------|
| File: tty-io.sch | | Sheet: /Teletype I/O/ | |
| Title: noname.sch | | | |
| Size: A4 | Date: 26 nov 2014 | | Rev: |
| KiCad E.D.A. eeschema (2013-07-07 BZR 4022)-stable | | | Id: 2/4 |



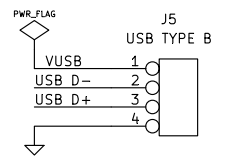
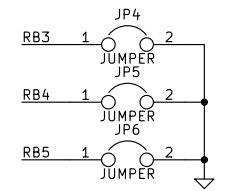
| | | |
|---|-------------------|---------|
| File: power-supply.sch | | |
| Sheet: /Power Supply/ | | |
| Title: | | |
| Size: A4 | Date: 26 nov 2014 | Rev: |
| KiCad E.D.A. eschema (2013-07-07 BZR 4022)-stable | | Id: 3/4 |



| | |
|-----------|----|
| RC6-TX | 11 |
| RA3-RTR | 10 |
| RS232-RXD | 12 |
| RS232-CTS | 9 |



| JP4 | JP5 | JP6 | BAUD RATE |
|------|------|------|-----------|
| OPEN | OPEN | OPEN | 110 |
| CLSD | OPEN | OPEN | 300 |
| OPEN | CLSD | OPEN | 600 |
| CLSD | CLSD | OPEN | 1200 |
| OPEN | OPEN | CLSD | 9600 |
| CLSD | OPEN | CLSD | 19200 |
| OPEN | CLSD | CLSD | 38400 |
| CLSD | CLSD | CLSD | 115200 |



File: pic.sch
 Sheet: /PIC/
Title:
 Size: A4 Date: 26 nov 2014
 KiCad E.D.A. eschema (2013-07-07 BZR 4022)-stable Rev:
 Id: 4/4